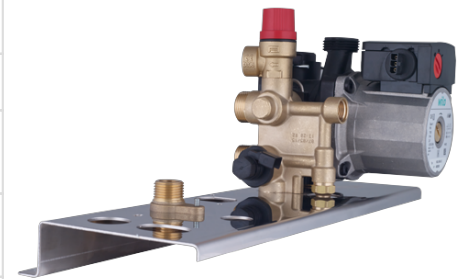


**Valves / Hydroblocks / HB-1500**

**CONSTRUCTIVE PROPERTIES**

	STANDARD	OPTIONAL
Material	Ms-58 Brass (CuZn40Pb2)	-
Hydroblock Type	Bithermic	-
Domestic Hot Water Flow Rate (Inlet Block)	8 lt / min.   10 lt / min.   12 lt / min.   15 lt / min.	
Check Valve Opening Pressure (nominal)	Varies as per customer request	-
Safety Valve Opening Pressure (nominal)	3 bar	Varies as per customer request
Flow Sensor Type	Turbine (Hall Effect-Variable)	-
By-Pass Type	External - Through copper tube	-



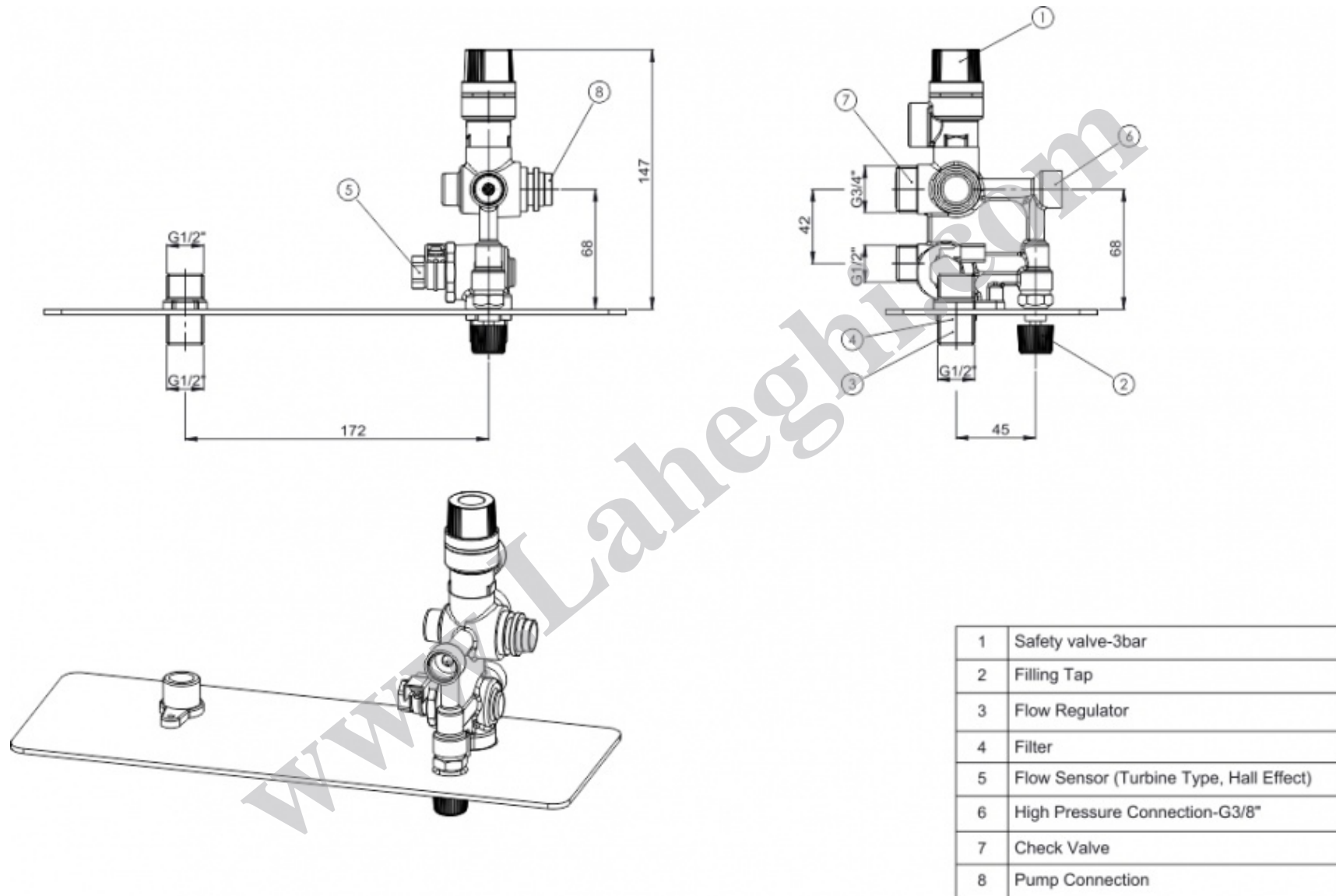
**HB-1500**

**USAGE PROPERTIES**

Storage Temperature	-20 ... +60 °C	-
Max. Water Temp.	120°C	-

www.Laheghi.com

Valves / Hydroblocks / HB-1500



Model No: HB-1500